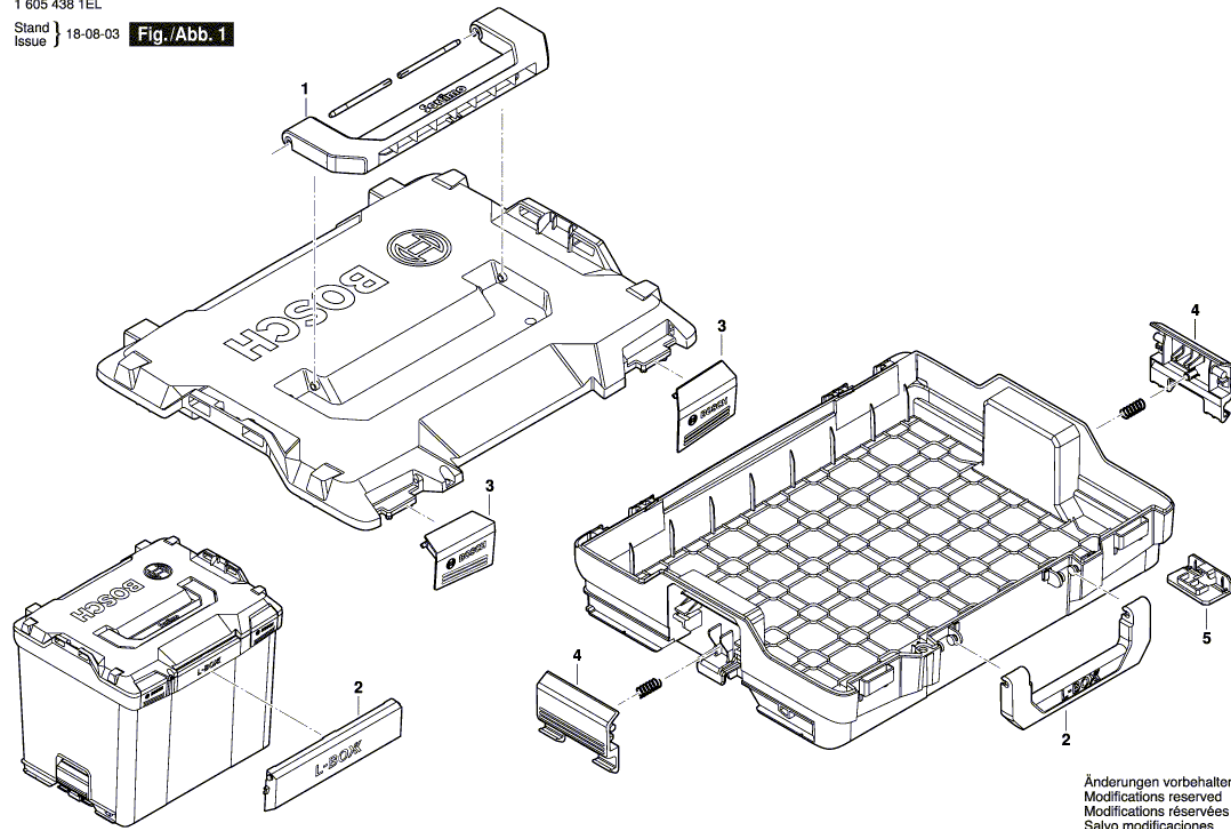


Illustration - Type - E

1 605 438 1EL

Stand | 18-08-03
Issue | Fig./Abb. 1



Änderungen vorbehalten
Modifications reserved
Modifications réservées
Salvo modificaciones

Spare parts list

Item	Part Number	Description	Illustration
1	1 600 A01 925	Carrying Handle	1
2	1 600 A01 927	Handle Bar	1
3	1 600 A01 929	Seal Parts Set	1
4	1 600 A01 92B	Coupling	1
5	1 600 A01 92D	Stacking foot	1